

**M12 male 0° / RJ45 90° left shielded Ethernet**

PUR 2x2xAWG22 shielded gn UL/CSA+dragchain 4m

Ethernet CAT5

The resistance to aggressive media should be individually tested for your application. Further details on request.

Male straight – male 90° left

M12 – RJ45, 4-pole

D-coded

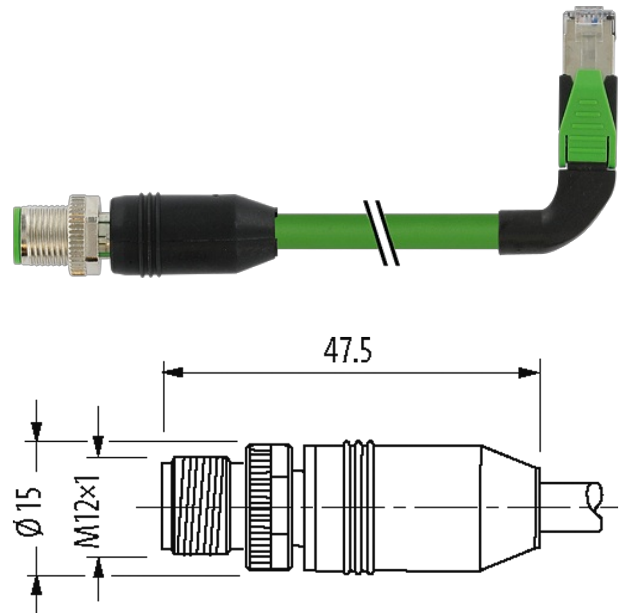
shielded

8-pole partly used

Transmission properties with channel transmission up to 100 m

Further cable lengths on request.

Plastic housings with good resistance against chemicals and oils.

[Link to Product](#)**Illustration**

Product may differ from Image

**More Info****Form**

Form 44747

**General data**

|                   |  |
|-------------------|--|
| Standards         | DIN EN 61076-2-101 (M12)                 |
| Pollution Degree  | 3  |
| Temperature range | -25...+85 °C, depending on cable quality |

**Cables**

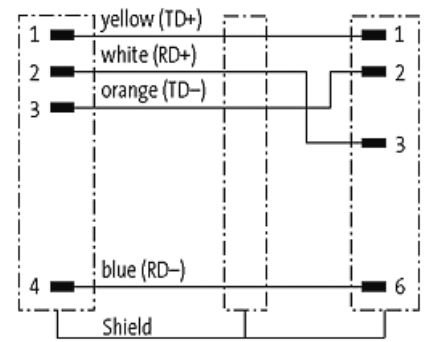
|                                 |  |
|---------------------------------|--|
| No./diameter of wires           | 2 × 2 × 0.34 mm <sup>2</sup>   |
| Wire isolation                  | PE (wh, ye, bl, or)  |
| C-track properties              | 3 Mio.   |
| Jacket Color                    | green  |
| Material (jacket)               | PUR (UL/CSA)   |
| Outer Ø                         | 6.7 mm ±5%   |
| Bend radius (moving)            | 12× outer Ø  |
| Temperature range (fixed)       | -40...+80 °C   |
| Temperature range (mobile)      | -30...+70 °C   |
| Cable identification            | 796  |
| Approval (cable)                | UL (AWM-Style 20233/11602), CSA; CE  |
| Cable weight [g/m]              | 69,3   |
| Material (wire)                 | Cu wire, bare  |
| Resistor (core)                 | max. 55 Ω/km (20 °C)   |
| Diameter (core)                 | 2 × 2 × AWG22  |
| Material (wire isolation)       | PE   |
| Wire-Ø incl. isolation          | 1.4 mm ±5%   |
| Color/numbering of wires        | wh, ye, bl, or   |
| Shield                          | yes  |
|                                 | min. 85%   |
| Material (jacket)               | PUR  |
| Outer-Ø (jacket)                | 6.7 mm ±5%   |
| Color (jacket)                  | green  |
| thermal resistance              | flammwidrig nach UL 1581 Section 1060 (FT1), Section 1061 (cable flame), Section 1080 (VW-1) / IEC 60332-1-2 |
| Nominal voltage                 | 300 V  |
| Temperature range (fixed)       | -40...+80 °C   |
| Temperature range (mobile)      | -30...+70 °C   |
| Bend radius (fixed)             | 5 × outer Ø  |
| Bend radius (moving)            | 12 × outer Ø   |
| No. of bending cycles (C-track) | max. 3 Mio. (25 °C)  |
| Traversing distance (C-track)   | max. 5 m (horizontal)  |
| Travel speed (C-track)          | max. 3.3 m/s   |
| Acceleration (C-track)          | max. 2 m/s <sup>2</sup>  |

#### Technical Data

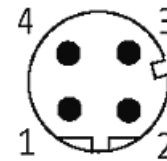
|                               |  |
|-------------------------------|--|
| Operating voltage             | max. 60 V DC   |
| Operating current per contact | max. 1.5 A (20 °C)   |
| Rated surge voltage           | 1.0 kV   |
| Material group                | IEC 60664-1, category I  |
| Transfer parameters           | CAT5, Class D (ISO/IEC 11801:2002), (EN 50173-1)                 |
| Transfer rate                 | up to 100 Mbit/s full duplex                                     |
| Coding                        | M12, D-coded   |
| Protection                    | IP20/IP67  |
| Locking of ports              | Screw thread (M12×1 mm) recommended torque 0.6 Nm, self-securing |
| Compression gland             | M12 (SW13)   |
| Locking material              | Zinc die casting, matte nickel plated                            |
| Material                      | PUR  |

#### Commercial data

|                       |               |
|-----------------------|---------------|
| country of origin     | DE            |
| customs tariff number | 85444210      |
| EAN                   | 4048879700009 |
| eClass                | 27260702      |
| Packaging unit        | 1             |

**Sketch**

Male



Male



Product may differ from Image